

BALDOR® • RELIANCE 

Product Information Packet

CECP4111T

25HP, 1180RPM, 3PH, 60HZ, 324TC, 1260M, TEFC, F

Part Detail							
Revision:	L	Status:	PRD/A	Change #:		Proprietary:	No
Type:	AC	Elec. Spec:	12WGY116	CD Diagram:	CD0180	Mfg Plant:	
Mech. Spec:	12G214	Layout:	12LYG214	Poles:	06	Created Date:	01-10-2014
Base:	RG	Eff. Date:	08-21-2018	Leads:	9#8		

Specs			
Catalog Number:	CECP4111T	Heater Indicator:	No Heater
Enclosure:	TEFC	Insulation Class:	F
Frame:	324TC	Inverter Code:	Inverter Duty
Frame Material:	Iron	KVA Code:	H
Output @ Frequency:	25.000 HP @ 60 HZ	Lifting Lugs:	Standard Lifting Lugs
Synchronous Speed @ Frequency:	1200 RPM @ 60 HZ	Locked Bearing Indicator:	Locked Bearing
Voltage @ Frequency:	460.0 V @ 60 HZ	Motor Lead Quantity/Wire Size:	9 @ 8 AWG
	230.0 V @ 60 HZ	Motor Lead Exit:	Ko Box
XP Class and Group:	CLI GP A,B,C,D	Motor Lead Termination:	Flying Leads
XP Division:	Division II	Motor Type:	1260M
Agency Approvals:	UR	Mounting Arrangement:	F1
	CSA EEV	Power Factor:	79
	CSA	Product Family:	Super-E Chemical Processing
Auxillary Box:	No Auxillary Box	Pulley End Bearing Type:	Ball
Auxillary Box Lead Termination:	None	Pulley Face Code:	C-Face
Base Indicator:	Rigid	Pulley Shaft Indicator:	Standard
Bearing Grease Type:	Polyrex EM (-20F +300F)	Rodent Screen:	None
Blower:	None	Shaft Extension Location:	Pulley End

Constant Torque Speed Range:	1.0	Shaft Ground Indicator:	No Shaft Grounding
Current @ Voltage:	32.000 A @ 460.0 V	Shaft Rotation:	Reversible
	63.000 A @ 230.0 V	Shaft Slinger Indicator:	Shaft Slinger
	69.000 A @ 208.0 V	Speed Code:	Single Speed
Design Code:	A	Motor Standards:	NEMA
Drip Cover:	No Drip Cover	Starting Method:	Direct on line
Duty Rating:	CONT	Thermal Device - Bearing:	None
Electrically Isolated Bearing:	Not Electrically Isolated	Thermal Device - Winding:	None
Feedback Device:	NO FEEDBACK	Vibration Sensor Indicator:	No Vibration Sensor
Front Face Code:	Standard	Winding Thermal 1:	None
Front Shaft Indicator:	None	Winding Thermal 2:	None
		XP Temp Code:	T3

Nameplate NP3241									
CAT.NO.	CECP4111T	P/N		ENCLOSURE	TEFC				
SPEC.	12G214Y116	CC	010A	FRAME	324TC	S/N			
HP	25	CLASS	F	HZ	60	DES	A		
RPM	1180	RPM MAX	1800	PH	3	KVA-CODE	H		
VOLT	230/460	MOTOR WEIGHT	626						
AMP	63/32	SER.F.	1.15	PF	79	ODE BRG	6312	DE BRG	6312
RATING	40C AMB-CONT	NEMA-NOM-EFF	93	GREASE	POLYREX EM				
				INV.TYPE	PWM				
TEMP CODE	T3	INVERTER-TEMP-CODE	200						
TEMP =	200	C HP FR	60	C HP TO	90				
CT HZ FROM	1.0	CT HZ TO	60						
HTR-VOLTS		HTR-AMPS		HTR-WATTS		MAX. SPACE HEATER TEMP.		VT HZ FROM	0
								VT HZ TO	60

Parts List		
Part Number	Description	Quantity
SA274993	SA 12G214Y116	1.000 EA
RA261575	RA 12G214Y116	1.000 EA
09FN3001B03SP	EXTERNAL FAN, PLASTIC	1.000 EA
10CB1000A203P	KOBX W/2.00 NPT & .31 GND MTG, EPOXY PRI	1.000 EA
09GS1010	GASKET, DWG, LEADWIRE SEPERATOR	1.000 EA
10XN3118K16	5/16-18 X 1' GRADE #5, STL, ZINC PLATE	4.000 EA
HW1001A31	LOCKWASHER 5/16, ZINC PLT.591 OD, .319 I	4.000 EA
WD1000B25	GND LUG, BURNDY L125HP OR T&B L125HP-BB	1.000 EA
19XW3118G08	.31-18X.50,HEX WSHR HD,TAPTITE 2,GREEN	1.000 EA
HW1001A31	LOCKWASHER 5/16, ZINC PLT.591 OD, .319 I	1.000 EA
HA4017A02	.125X2.50 GREASER EXTENS.F/S	1.000 EA
HW4019A01	PIPE COUPLING 1/8 NPT,STEEL,ZINC COATING	1.000 EA
HA4017A01	1/8 X 4 GREASE EXT (F/S)	1.000 EA
HW4500A20	1/8NPT SL PIPE PLUG	1.000 EA
HA3400A13	STUD, 1/2-13 X 7" WELKER	4.000 EA
HW1001A50	LOCKWASHER 1/2, ZINC PLT.,.879 OD, .509 I	4.000 EA
HW4600B41	V-RING SLINGER 2.125 X 2.880 X 0.280	1.000 EA
HW4600B41	V-RING SLINGER 2.125 X 2.880 X 0.280	1.000 EA
HW5100A15	W4997-050 WVY WSHR (WB)	1.000 EA
10XN3118K40	5/16-18 X 2.50" HEX HD, GRADE 5	2.000 EA
12EP1105A97P	PU EP, MACH, PLS W/EPOXY PRIMER	1.000 EA
10XN5013K28	1/2-13 X 1.75 HEX HEAD MACH SCREW,GRAD	4.000 EA
HW1001A50	LOCKWASHER 1/2, ZINC PLT.,.879 OD, .509 I	4.000 EA
HW4500A20	1/8NPT SL PIPE PLUG	1.000 EA

Parts List (continued)		
Part Number	Description	Quantity
10XN3118K44	5/16-18 X 2.75" HEX HD, GRADE 5	4.000 EA
12FH1002A59P	FAN COVER, MACH W/EPOXY PRIMER	1.000 EA
XY5013A12	NUT, 1/2-13, HEX, STEEL, ZINC PLATED	4.000 EA
HW1001A50	LOCKWASHER 1/2, ZINC PLT., .879 OD, .509 I	4.000 EA
10CB1503A01P	CONDUIT BOX LIPPED LID, MACH W/EPXY PRMR	1.000 EA
14GS1003	GASKET CONDUIT BOX LID, NEOP	1.000 EA
10XN2520K16	1/4-20 X 1" HX HD SCRW GRADE 5, ZINC P	4.000 EA
HW1001A25	LOCKWASHER 1/4, ZINC PLT .493 OD, .255 I	4.000 EA
HW2501H33	KEY, 1/2 SQ X 3.875	1.000 EA
MJ5001A27	32220KN GRAY SEALER *MIN BUY 4 QTS=1GAL	0.031 QT
MJ5001A14	DYNAPRO SEALANT, CP MTR VC#2508050 (603	0.030 EA
LB1115N	LABEL, LIFTING DEVICE (ON ROLLS)	1.000 EA
12EP1111A57GP6	FR ENDPLATE, MACH W/EPOXY PRIMER & RELIA	1.000 EA
MN416A01	TAG-INSTAL-MAINT no wire (1200/bx) 3/19	1.000 EA
LB1002N	LABEL, MARINE DUTY (ON ROLLS)	1.000 EA
HW4500A17	317400 ALEMITE GREASE RELIEF	1.000 EA
HW4500A21	1618BALEMITE FITTING 825 UNIVERSAL	1.000 EA
HA4051A00	PLASTIC CAP FOR GREASE FITTING	1.000 EA
HA4054	SHORT T-DRAIN FITTING, .125" N.P.T.	1.000 EA
HA4054	SHORT T-DRAIN FITTING, .125" N.P.T.	1.000 EA
MJ1000A02	GREASE, MOBIL POLYREX EM - 124047	0.200 LB
HW4500A17	317400 ALEMITE GREASE RELIEF	1.000 EA
HW4500A03	GREASE FITTING, .125 NPT 1610(ALEMITE) 8	1.000 EA
HA4051A00	PLASTIC CAP FOR GREASE FITTING	1.000 EA

Product Information Packet: CECP4111T - 25HP,1180RPM,3PH,60HZ,324TC,1260M,TEFC,F

HW2500A25	WOODRUFF KEY USA #1008 #BLOW CARBON STEE	1.000 EA
51XB1214A20	12-14X1.25 HXWSSLD SERTYB	1.000 EA
MG1025N19	WILKOFAS, 778.50, RELIANCE BLUE-GREEN	0.080 GA
85XU0407S04	4X1/4 U DRIVE PIN STAINLESS	4.000 EA
LB1119N	WARNING LABEL	1.000 EA
LC0181	CONNECTION LABEL	1.000 EA
NP3241	SS SUPER-E INV UL CSA-EEV PREM CC	1.000 EA
12PA1000	PACKAGING GROUP PRINT PK1024A06	1.000 EA
LB1449	DIV-2/NEC WARNING LABEL	1.000 EA

AC Induction Motor Performance Data

Record # 47247 - Typical performance - not guaranteed values

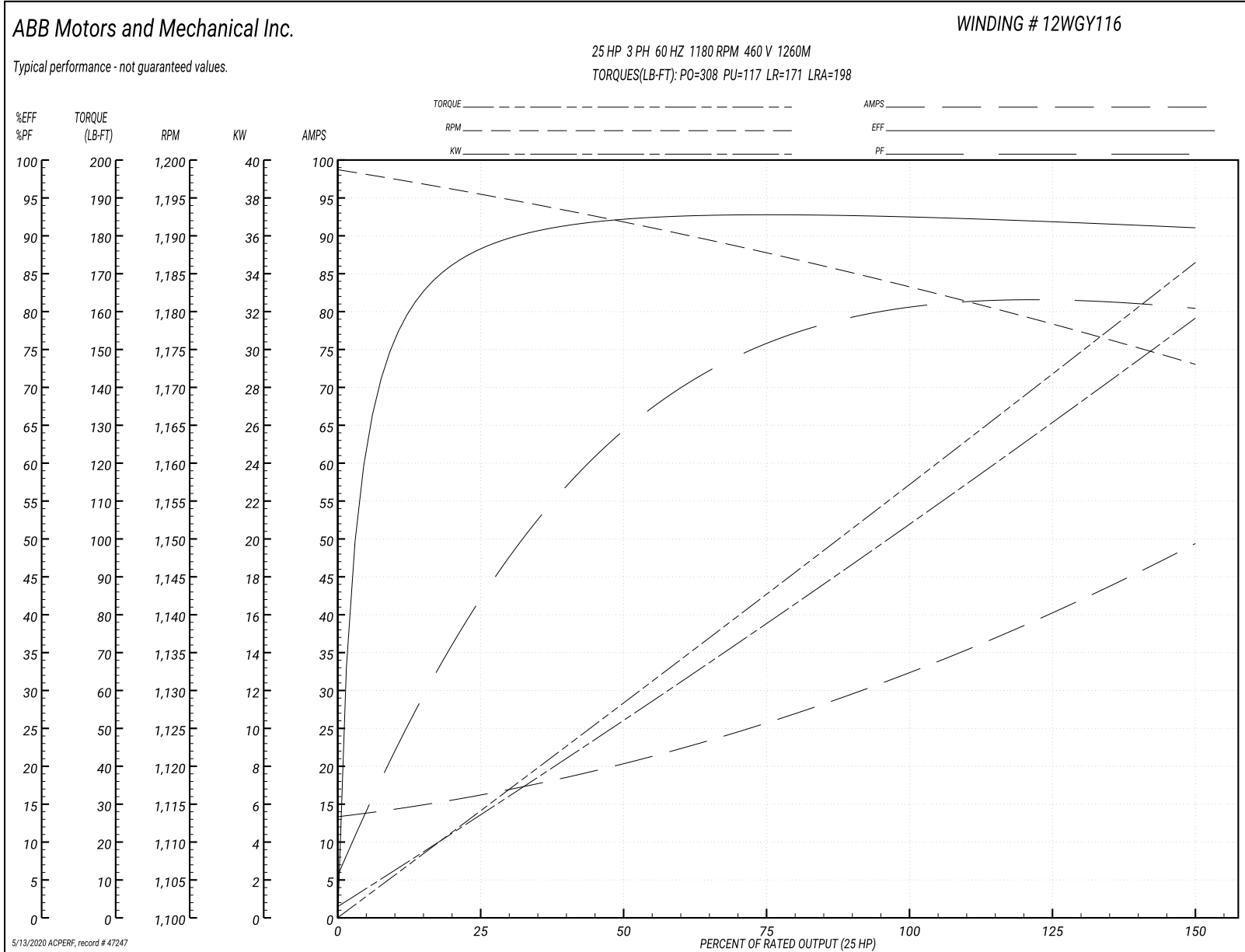
Winding: 12WGY116-R017	Type: 1260M	Enclosure: TEFC
-------------------------------	--------------------	------------------------

Nameplate Data				460 V, 60 Hz: High Voltage Connection	
Rated Output (HP)	25			Full Load Torque	111 LB-FT
Volts	230/460			Start Configuration	direct on line
Full Load Amps	63/32			Breakdown Torque	308 LB-FT
R.P.M.	1180			Pull-up Torque	117 LB-FT
Hz	60	Phase	3	Locked-rotor Torque	171 LB-FT
NEMA Design Code	A	KVA Code	H	Starting Current	198 A
Service Factor (S.F.)	1.15			No-load Current	13.8 A
NEMA Nom. Eff.	93	Power Factor	79	Line-line Res. @ 25°C	0.27033 Ω
Rating - Duty	40C AMB-CONT			Temp. Rise @ Rated Load	46°C
S.F. Amps				Temp. Rise @ S.F. Load	56°C
				Rotor inertia	11.5 LB-FT ²

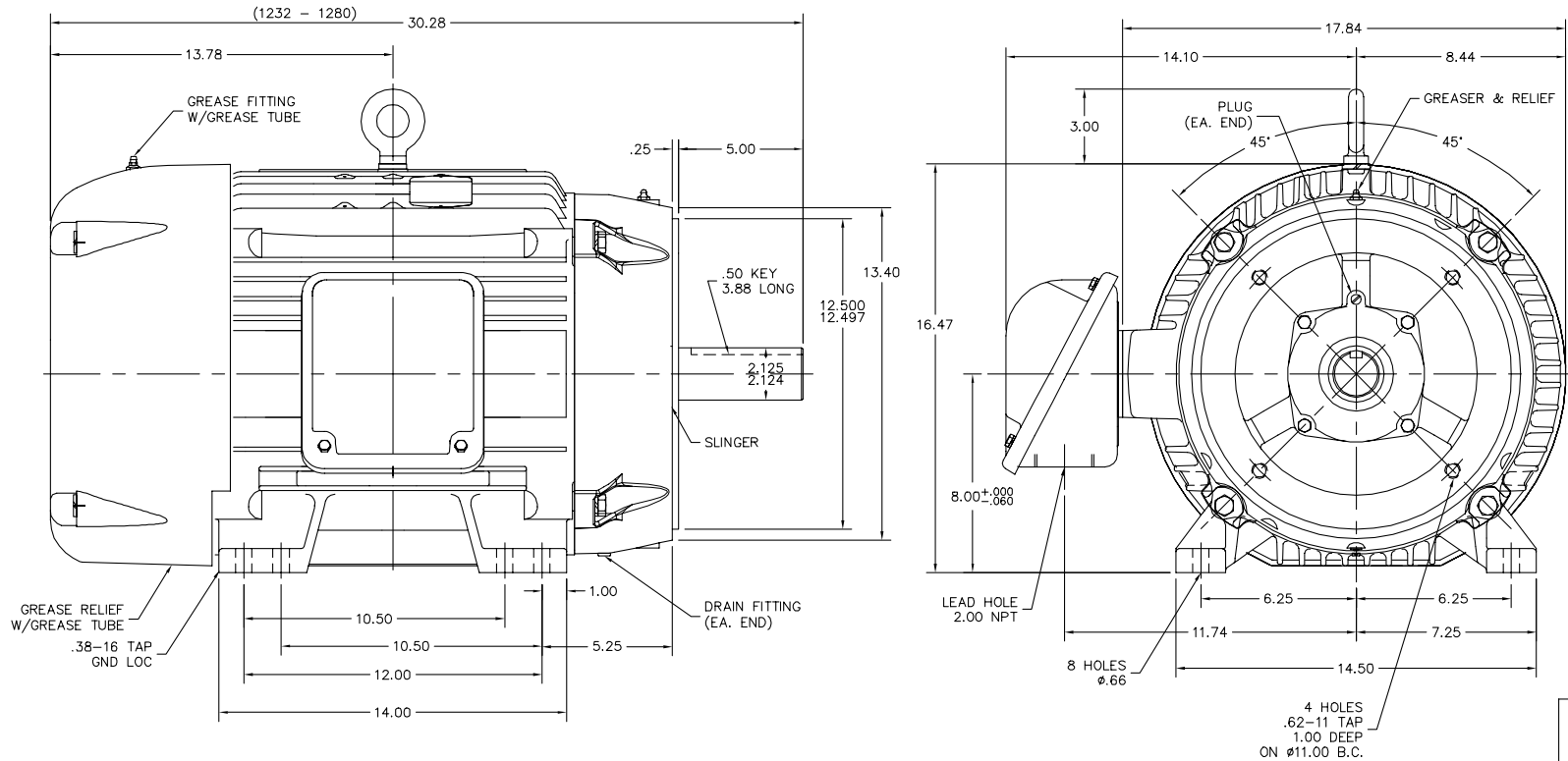
Load Characteristics 460 V, 60 Hz, 25 HP

% of Rated Load	25	50	75	100	125	150	S.F.
Power Factor	43	65	75	79	81	81	80
Efficiency	89.1	92.8	93.5	93.2	92.6	91.5	92.8
Speed	1195.4	1191.8	1188.2	1183.9	1179.3	1172.9	1181
Line amperes	15.6	19.7	25.4	31.9	39.2	49.1	36.3

Performance Graph at 460V, 60Hz, 25.0HP Typical performance - Not guaranteed values



12LYG214



12LYG214

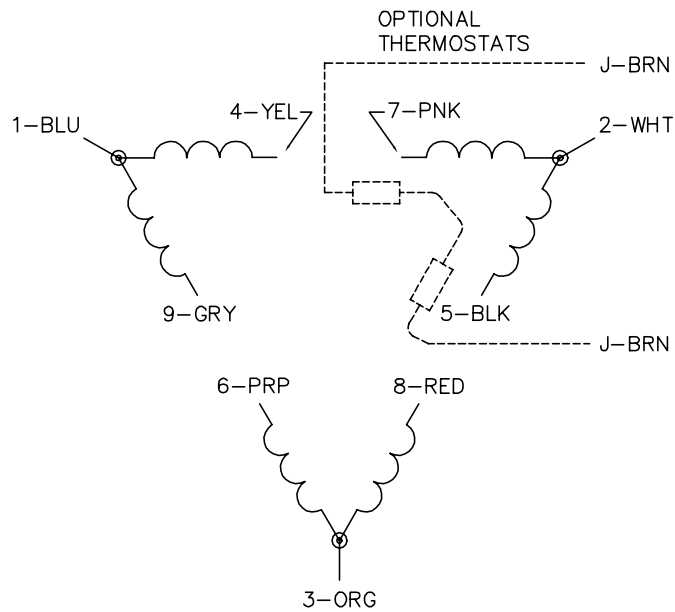
CUSTOMER IS RESPONSIBLE FOR DETERMINING THAT BALDOR'S PRODUCT WILL PERFORM SUITABLY IN THE INTENDED APPLICATION.

REV. DESC: ADDED GND HOLE TAP SIZE	VERSION: 03	TDR: 000000954909
REV. LTR: C	REVISED: 12:33:07 12/07/2015	BY: ENNINDO
FILE: \AAA\00181\610		
MTL: -		

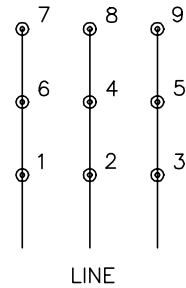
BALDOR

HORZ TEFC 324-6TC ECP W/312 BRGS & PLS
SH 1 of 1

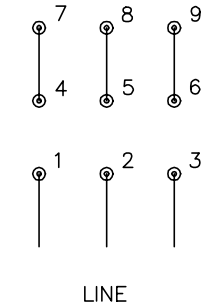
CD0180



LOW VOLTAGE
(2D)



HIGH VOLTAGE
(1D)



NOTES:

1. INTERCHANGE ANY TWO LINE LEADS TO REVERSE ROTATION.
2. OPTIONAL THERMOSTATS ARE PROVIDED WHEN SPECIFIED.
3. ACTUAL NUMBER OF INTERNAL PARALLEL CIRCUITS MAY BE A MULTIPLE OF THOSE SHOWN ABOVE.
4. LEAD COLORS ARE OPTIONAL. LEADS MUST ALWAYS BE NUMBERED AS SHOWN.

CD0180

REV. DESC: ADD CLASS CONN00000007		
REV. LTR: D	VERSION: 01	TDR: 000001099922
FILE: \AAA\00005\148	REVISED: 10:25:29 02/19/2019	BY: ENBRIRO
MTL: -	© □	

BALDOR - RELIANCE®

3PH, DV, 9 LEADS, DELTA CONNECTION

SH 1 of 1

Marketing maintained PDF of MN416:

[MN416?ManNumber=MN416](#)